



Hillrom™



PST 300
Precision Surgical Table

TO DO MORE FOR YOUR PATIENTS, EXPECT MORE FROM YOUR EQUIPMENT.

You know your surgical team will do what it takes to help every patient. But if you're relying on outdated or ill-suited equipment for more complex procedures, you could be risking efficiency at best—and patient safety at worst.

What if your equipment could help you do more—safely and efficiently?

Meet the PST 300 Precision Surgical Table from Hillrom.

This versatile, easy-to-use table delivers a strong foundation to support the volume and variety of procedures you face every day.

So you can help more people. Perform more specialized procedures. Spend more time with patients—and less time dealing with complex equipment.

The PST 300 helps you do more of what matters.



INTUITIVE

The table is easy to use with lightweight components, a self-aligning hook coupler system, a simple remote control and quick setup.



EFFICIENT

Modular design, ergonomic handling and 360° imaging help you streamline your workflow and see more patients, more quickly.



VERSATILE

One table supports a range of positions across various surgical applications—helping you stretch your investment and expand your surgical offerings.



GENERAL SURGERY

SUPPORT MORE PATIENTS WITH MORE POSITIONS.

The PST 300 is flexible to support the various surgical applications you perform every day. Simply choose the right configuration and accessories to provide the ideal surface for each procedure.



BARIATRIC

Split leg for laparoscopic gastric procedure



CARDIOVASCULAR

Supine position for cardiovascular procedures, including high C-arm access



THYROID

Supine position for thyroid surgery



KIDNEY

Lateral position for kidney and thoracic surgery



GYNECOLOGY/UROLOGY

Lithotomy position for gynecological or urology surgery

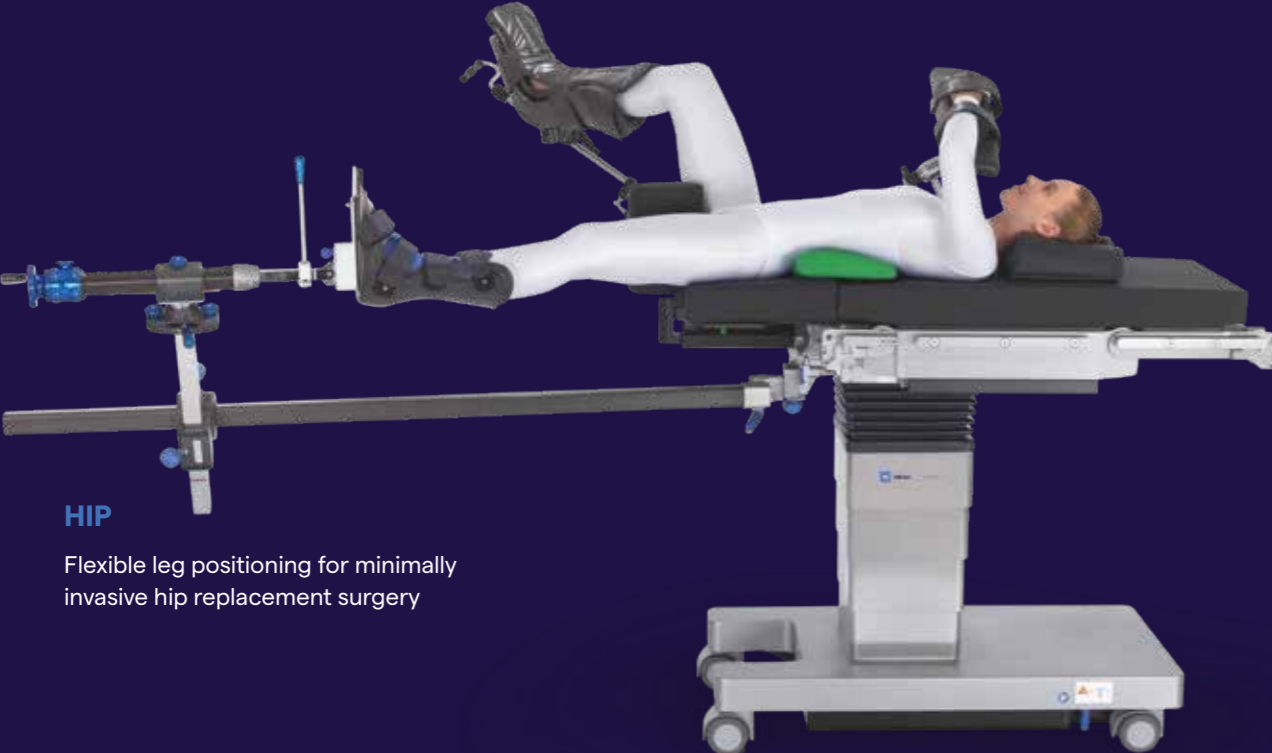


OPHTHALMOLOGY/ENT

Supine position with headrest system for ophthalmology and ENT surgery

ORTHOPEDICS

With the PST 300, the table you use for general surgeries can also support numerous orthopedic procedures.



HIP
Flexible leg positioning for minimally invasive hip replacement surgery



SHOULDER
Beach chair position for arthroscopic shoulder surgery



KNEE
Supine with free access for arthroscopy



HAND
Supine position with flexible table attachment and 360° radiolucency for hand surgery



LEG
Extension unit with fracture set for tibia nailing and fractures

SPINE AND NEUROSURGERY

No need for specialized, single-function tables. The PST 300 easily accommodates spine and neuro procedures with its flexible configurations and accessories.



SPINE

360° full radiolucent table components for spine surgery

360°

Imaging Made Simple

The table's radiolucent tabletop and carbon fiber equipment make 360° imaging simple—particularly for anterior and posterior X-rays. Plus, you can position a C-arm where you need it with convenient longitudinal sliding.



NEURO

3D imaging compatible table segment and skull clamp for neurosurgery



NEUROSURGERY

Sitting position with skull clamp to support posterior cranial surgeries

INTUITIVE BY DESIGN

We designed the PST 300 to be easy to use, so your surgical team can focus on what counts—the patient in front of them.

Intuitive Design

All operating elements are color-coded for quick access and ease of use.

Motorized Functions

Motorized longitudinal slide, foot pedals and tilting capabilities remove the heavy lifting from your workflow.

Longitudinal Slide for Flexible C-Arm Access

340 mm motorized longitudinal slide enables easy imaging access.

Quick Set-up

The table's lightweight components and self-aligning hook-coupling point system make setup and modifications quick and easy.

Easy to Move

Dual castors help you to easily move the table where you need it.

Slim Design

Enjoy better ergonomics and access to your patient with under-base foot placement and C-arm accessibility.

Intuitive Wired or Wireless Remote Control

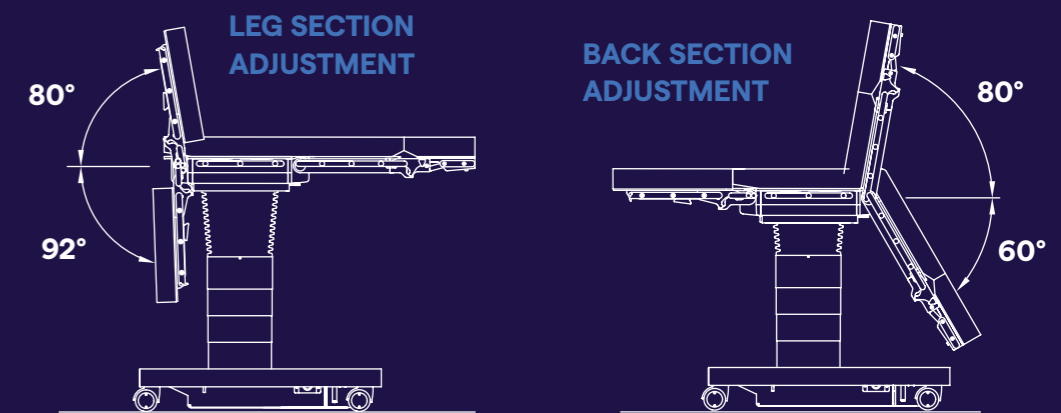
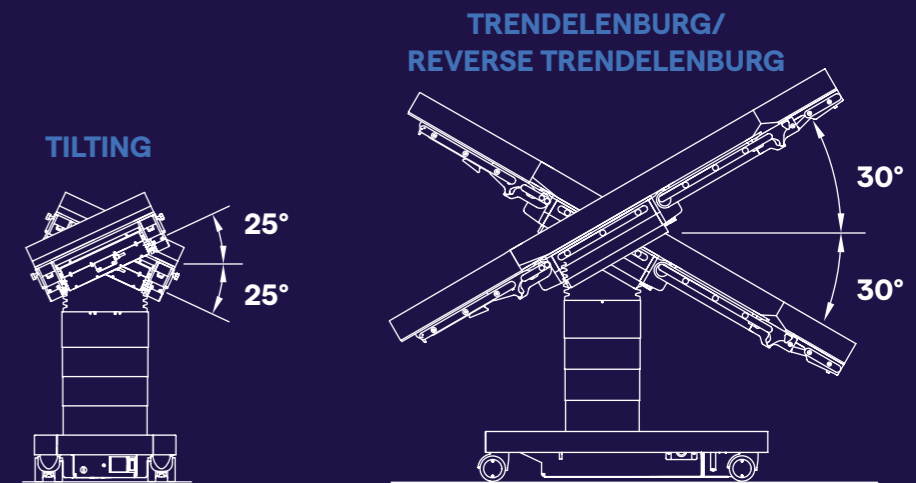
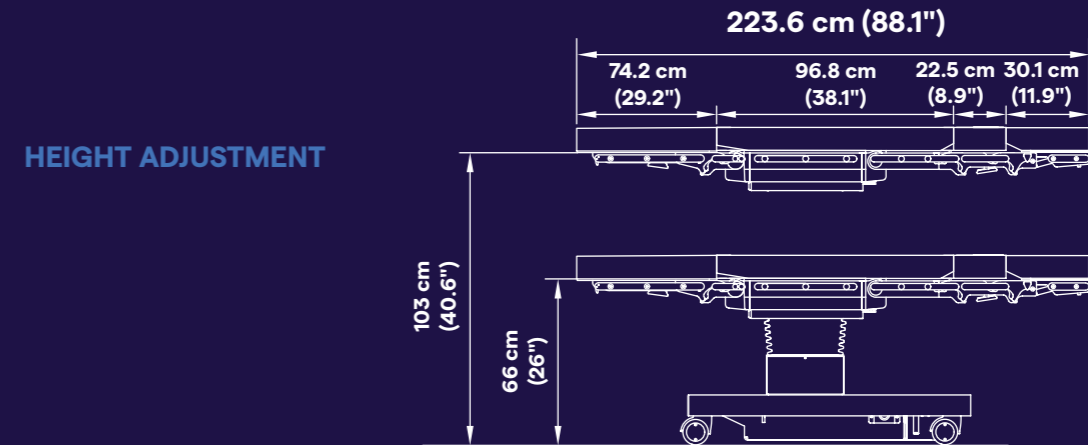
The backlit remote control is easy to use in low-light environments. Its icons, colors and symbols match those on the control column for simplicity and efficiency.



TECHNICAL SPECIFICATIONS

The PST 300 is built to handle real-world surgical environments—including yours.

PST 300 Precision Surgical Table	
Tabletop dimensions	223.6 cm L x 60 cm W (88.1" L x 23.6" W)
Net table weight	230 kg / 507 lbs
Height adjustment	66 cm - 103 cm (± 1 cm) / 26" - 40.6" (± 0.4 ")
Trendelenburg / reverse Trendelenburg	$\pm 30^\circ$ ($\pm 2^\circ$)
Tilt	$\pm 25^\circ$ ($\pm 2^\circ$)
Longitudinal slide	34 cm (± 1 cm) / 13.4" (± 0.4 ") head side: 19.5 cm (7.7") / foot side 14.5 cm (5.7")
Adjustment range joint back section	+80° / -60° ($\pm 2^\circ$)
Adjustment range joint leg section	+80° / -92° ($\pm 2^\circ$)
Zero positioning	Motorized leveling of all sections
Maximum overall load	400 kg (882 lbs)
Compatible foot end accessories	22
Compatible head end accessories	10



MORE PERFORMANCE. EXPERT MAINTENANCE. READY WHEN YOU ARE.

Building upon Hillrom's strong surgical legacy, the PST 300 features high-quality engineering—at a price that won't break your budget.

- Intuitive design supports easy, fast set up
- Column and base are easy to access when service is needed
- Double-jointed castors make the table easy to move, adjust and fix in place, even on uneven ground

And when you need extra help, you can count on Hillrom's best-in-class service team for expert support and fast response times.



The PST 300 does more. So you can do more.





Hillrom™

ABOUT HILLROM

Hillrom is a global medical technology leader whose 10,000 employees have a single purpose: enhancing outcomes for patients and their caregivers by advancing connected care. Around the world, our innovations touch over 7 million patients each day. They help enable early diagnosis and treatment, optimize surgical efficiency and accelerate patient recovery while simplifying clinical communication and shifting care closer to home. We make these outcomes possible through connected smart beds, patient lifts, patient assessment and monitoring technologies, caregiver collaboration tools, respiratory care devices, advanced operating room equipment and more, delivering actionable, real-time insights at the point of care. Learn more at hillrom.com.

**You want to do more for your patients. We can help.
Visit hillrom.com to get started today.**

130 E. Randolph St. Suite 1000, Chicago, IL 60601

The PST 300 is intended to be used by clinicians and medically qualified personnel. This medical device is a regulated healthcare product which, pursuant to such regulation bears a CE mark. Hill-Rom recommends that you carefully read the detailed instructions for safe and proper use included in the documents accompanying the medical devices. The personnel of healthcare establishments are responsible for the proper use and maintenance of these medical devices. Hill-Rom reserves the right to make changes without notice in design, specifications and models. The only warranty Hill-Rom makes is the express written warranty extended on the sale or rental of its products. TRUMPF Medizin Systeme GmbH + Co. KG is a subsidiary of Hill-Rom Holdings, Inc.

© 2020 Hill-Rom Services, Inc. ALL RIGHTS RESERVED. APR42401 rev 3 12-OCT-2020 EN – EMEA